



简介

NV系列整体阀盖式针形阀设计应用于公称压力PN32.0MPa或5000psig及以下的各种小型化的管路系统，阀盖与阀体采用整体式模锻件，结构精巧，外形美观，性能可靠。

Introduction

NV series integral bonnet needle valves are designed for use on all the small-sized pipe systems under PN32.0MPa/5000psig or less. The bonnet and the valve body are manufactured by integral die forgings with characteristics of ingenious structure, beautiful appearance and reliable performance.

特点

- 阀体特性：整体锻造阀体，结构精巧
- 阀体材质：不锈钢，黄铜
- 填料：聚四氟乙烯
- 阀体型式有直通、角式可供选择
- 阀门有盘装式可供选择
- 连接型式多样
- 100%工厂试验

Features

- Characteristics: The valve body is ingeniously structured due to its integral forging process.
- Body material: Stainless steel, Brass
- Packing: PTFE
- Valve body type for choice: Straight and angle type
- Panel mounting available
- Various connection
- 100% factory tested

技术规范

- 最大工作压力：
不锈钢：5000 psig (344 bar)
黄铜：3000 psig (207 bar)
- 公称通径：4 mm
- 许用温度范围：-54~232℃
- 接口型式和尺寸：
NV系列阀门接口型式多种多样，可根据用户需要灵活配置。常用接口如下：

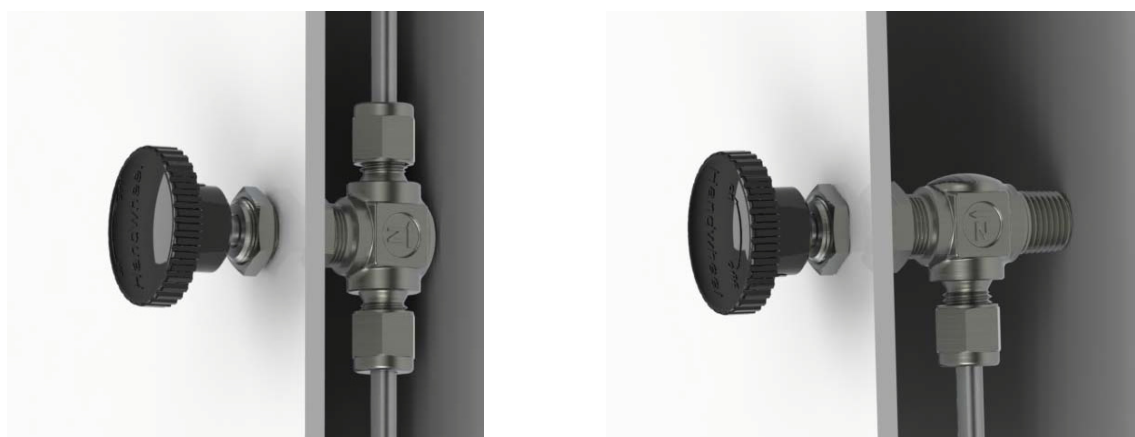
- ◎ 双卡套连接 (DF)
米制管：3 mm, 6 mm, 8 mm, 10 mm;
英制管 OD1/8", 1/4", 3/8"
- ◎ NPT外螺纹 (N)：NPT1/8", NPT1/4"
- ◎ NPT内螺纹 (FN)：FNPT1/8", FNPT1/4",
- ◎ BSPT外螺纹 (R)：R1/8", R1/4"
- ◎ BSPT内螺纹 (Rc)：Rc1/8", Rc1/4"

Specification

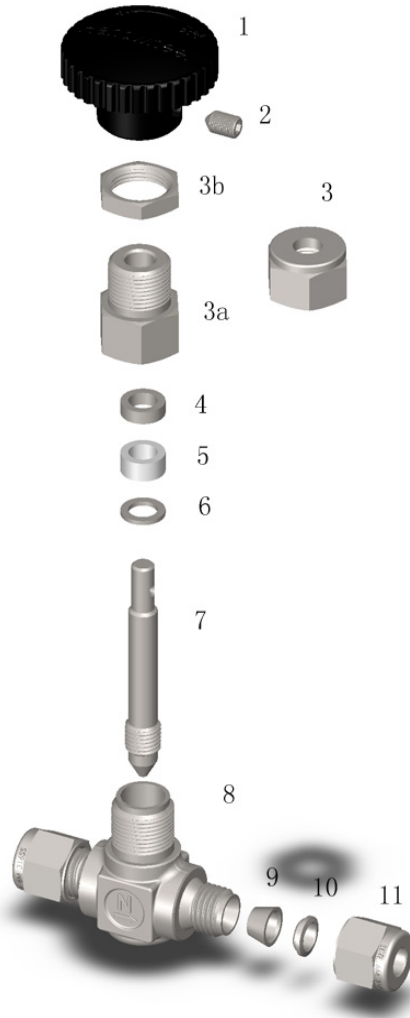
- Maximum working pressures:
Stainless steel: 5000 psig (344 bar)
Brass: 3000 psig (207 bar)
- DN: 4 mm
- Applicable Tem.: -54~232℃
- Type and size of the interface
The interface types of this NV series valve are various and can be disposed flexibly according to customers' requirement. The common interfaces as follows:

- ◎ Double ferrules connection (DF)
Metric tube of 3mm, 6mm, 8mm and 10mm;
Fractional tube of OD1/8", 1/4" and 3/8"
- ◎ NPT male thread (N)：NPT1/8", NPT1/4"
- ◎ NPT female tread (FN): FNPT1/8", FNPT1/4",
- ◎ BSPT male thread (R)：R1/8", R1/4"
- ◎ BSPT female thread (Rc)：Rc1/8", Rc1/4"

面板安装示意 Instruction for Panel mounting



结构材料 Materials of Construction



序号 No	部件 Components	阀体材料 Material			
		304SS	321SS	316SS	黄铜 Brass
1	手轮 hand wheel	酚醛塑料 Phenolic plastic			
2	紧定螺钉 set screw	不锈钢或镀镍钢 Stainless steel or Nickel-plated steel			
3	压盖螺母 Packing nut	304SS		黄铜 Brass	
3a	压盖螺母 Packing nut	304SS		黄铜 Brass	
3b	薄螺母 Thin nut	304SS		黄铜 Brass	
4	上填料垫 Up packing seat	304SS			
5	填料 packing	聚四氟乙烯 PTFE			
6	下填料垫 down packing seat	304SS	321SS	316SS	
7	阀杆 Stem	304SS	321SS	316SS	
8	阀体 Body	304SS	321SS	316SS	黄铜 Brass
9	前卡套 Front ferrule	304SS	321SS	316SS	黄铜 Brass
10	后卡套 Back ferrule	304SS	321SS	316SS	黄铜 Brass
11	卡套螺母 Ferrule nut	304SS	321SS	316SS	黄铜 Brass

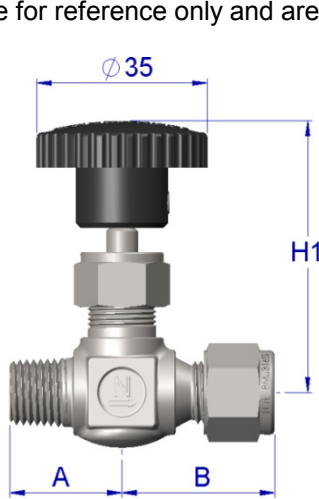
注：表中结构材料为我公司典型配置，根据介质及温度状况可能有变动，也可按顾客要求制造。

Note: The material in the sheet is used on manufacturing the common product in our company. We can manufacture as the customer's requirements according to the change of the medium and temperature condition.

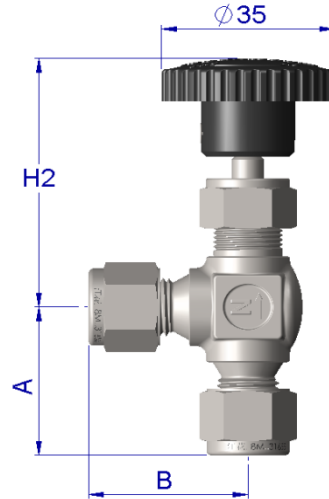
尺寸 Dimensions

尺寸仅供参考, 可能变动。

Dimensions are for reference only and are subject to change.



直通阀 NV4-N1/4-DF8M Straight pattern



角式阀 NV4A-DF8M Angle pattern

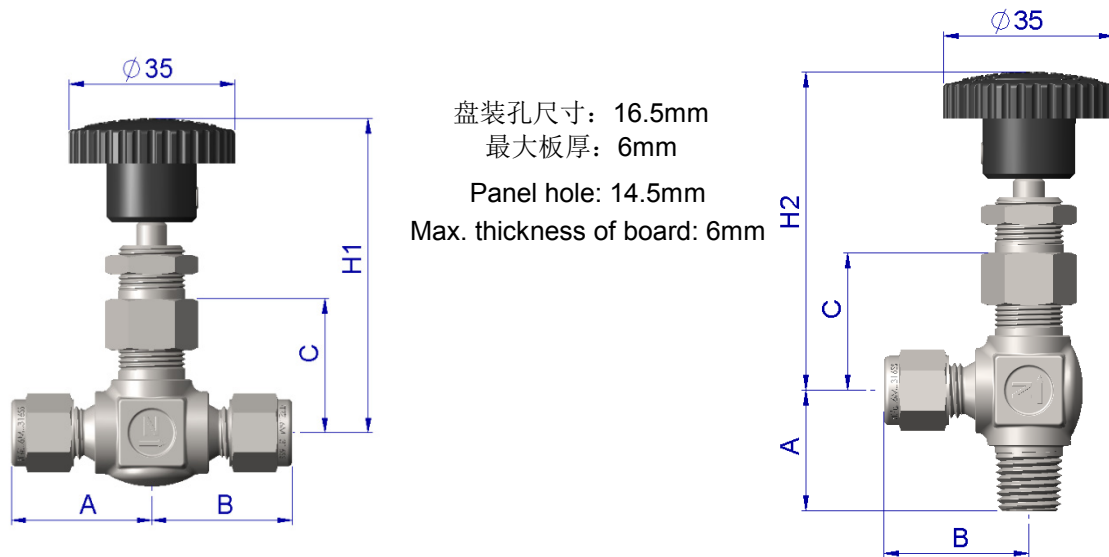
规格尺寸表 Table of model and dimensions

基本型号 Basic type		连接型式/尺寸 Connection Type and Size		尺寸 size (mm)			
直型 Stright	角式 Angle	进口 Inlet	出口 Outlet	A	B	H1	H2
NV4-DF3M	NV4A-DF3M	双卡套公制管 3mm Double ferrules for metric tube		26.9	26.9	Min: 53 Max: 57.2	Min: 52 Max: 57.2
NV4-DF6M	NV4A-DF6M	双卡套公制管 6mm Double ferrules for metric tube		29.5	29.5		
NV4-DF8M	NV4A-DF8M	双卡套公制管 8mm Double ferrules for metric tube		31.2	31.2		
NV4-DF10M	NV4A-DF10M	双卡套公制管 10mm Double ferrules for metric tube		31.5	31.5		
NV4-DF1/8	NV4A-DF1/8	双卡套英制管OD1/8" Double ferrules for fractional tube		26.9	26.9		
NV4-DF1/4	NV4A-DF1/4	双卡套英制管OD1/4" Double ferrules for fractional tube		29.5	29.5		
NV4-DF3/8	NV4A-DF3/8	双卡套英制管OD3/8" Double ferrules for fractional tube		31.5	31.5		
NV4-N1/8	NV4A-N1/8	外螺纹 NPT1/8 Male NPT		22	22		
NV4-N1/4	NV4A-N1/4	外螺纹 NPT1/4 Male NPT		23	23		
NV4-R1/8	NV4A-R1/8	外螺纹 R1/8 Male BSPT		22	22		
NV4-R1/4	NV4A-R1/4	外螺纹 R1/4 Male BSPT		23	23		
NV4-FN1/8	NV4A-FN1/8	内螺纹 NPT1/8 Female NPT		22	22		

规格尺寸表 Table of model and dimensions

基本型号 Basic type		连接型式/尺寸 Connection Type and Size		尺寸 Size (mm)			
直型 Stright	角式 Angle	进口 Inlet	出口 Outlet	A	B	H1	H2
NV4-FN1/4	NV4A-FN1/4	内螺纹 NPT1/4 Female NPT		23	23	Min:53 Max: 57.2	Min:52 Max: 57.2
NV4-Rc1/8	NV4A-Rc1/8	内螺纹 Rc1/8 Female BSPT		22	22		
NV4-Rc1/4	NV4A-Rc1/4	内螺纹 Rc1/4 Female BSPT		23	23		
NV4-N1/8-DF3M	NV4A-N1/8-DF3M	外螺纹 NPT1/8 Male NPT	双卡套 3mm Double ferrules	22	26.9		
NV4-N1/4-DF6M	NV4A-N1/4-DF6M	外螺纹 NPT1/4 Male NPT	双卡套 6mm Double ferrules	23	29.5		
NV4-N1/4-DF8M	NV4A-N1/4-DF8M	外螺纹 NPT1/4 Male NPT	双卡套 8mm Double ferrules	23	31.2		
NV4-FN1/4-DF8M	NV4A-FN1/4- DF8M	内螺纹 NPT1/4 Fema NPT	双卡套8mm Double ferrules	23	31.2		
NV4-N1/8-DF1/4	NV4A-N1/8-DF1/4	外螺纹 NPT1/8 Male NPT	双卡套OD1/4" Double ferrules	22	29.5		
NV4-N1/4-DF1/4	NV4A-N1/4-DF1/4	外螺纹 NPT1/4 Male NPT	双卡套OD1/4" Double ferrules	23	31.5		
NV4-N1/8-FN1/8	NV4A-N1/8-FN1/8	外螺纹 NPT1/8 Male NPT	内螺纹 NPT1/4 Femal NPT	22	22		
NV4-N1/4-FN1/4	NV4A-N1/4-FN1/4	外螺纹 NPT1/4 Male NPT	内螺纹 NPT1/4 Femal NPT	23	23		

结构尺寸-面板式安装 Structure dimensions-Panel mounting



盘装孔尺寸: 16.5mm
 最大板厚: 6mm
 Panel hole: 14.5mm
 Max. thickness of board: 6mm

直通盘装针型阀: NV4-P-DF6M

角式盘装针型阀: NV4A-P-N1/4-DF6M

规格尺寸表 Table of model and dimensions

基本型号basic type		接口型式/尺寸interface type/size		尺寸size mm				
直型straight	角式 angle	进口inlet	出口outlet	A	B	C	H1	H2
NV4-P-DF3M	NV4A-P-DF3M	双卡套公制管3mm Double ferrules for metric tube		26.9	26.9	27.5	Min: 63.6 Max: 67.8	Min: 62.6 Max: 67.8
NV4-P-DF6M	NV4A-P-DF6M	双卡套公制管6mm Double ferrules for metric tube		29.5	29.5			
NV4-P-DF8M	NV4A-P-DF8M	双卡套公制管 8mm Double ferrules for metric tube		31.2	31.2			
NV4-P-DF10M	NV4A-P-DF10M	双卡套公制管10mm Double ferrules for metric tube		31.5	31.5			
NV4-P-DF1/8	NV4A-P-DF1/8	双卡套英制管OD1/8" Double ferrules fractional tube		26.9	26.9			
NV4-P-DF1/4	NV4A-P-DF1/4	双卡套英制管OD1/4" Double ferrules fractional tube		29.5	29.5			
NV4-P-DF3/8	NV4A-P-DF5/8	双卡套英制管OD3/8" Double ferrules fractional tube		31.5	31.5			
NV4-P-N1/8	NV4A-P-N1/8	外螺纹 NPT1/8 Male NPT		22	22			
NV4-P-N1/4	NV4A-P-N1/4	外螺纹 NPT1/4 Male NPT		23	23			
NV4-P-R1/8	NV4A-P-R1/8	外螺纹 R1/8 Male BSPT		22	22			
NV4-P-R1/4	NV4A-P-R1/4	外螺纹 R1/4 Male BSPT		23	23			
NV4-P-FN1/8	NV4A-P-FN1/8	内螺纹 NPT1/8 Female NPT		22	22			
NV4-P-FN1/4	NV4A-P-FN1/4	内螺纹 NPT1/4 Female NPT		23	23			
NV4-P-Rc1/8	NV4A-P-Rc1/8	内螺纹 Rc1/8 Female BSPT		22	22			
NV4-P-Rc1/4	NV4A-P-Rc1/4	内螺纹 Rc1/4 Female BSPT		23	23			
NV4-P-N1/8-DF3M	NV4A-P-N1/8-DF3M	外螺纹NPT1/8 Male NPT	双卡套3mm Double ferrules	22	26.9			
NV4-P-N1/4-DF6M	NV4A-P-N1/4-DF6M	外螺纹NPT1/4 Male NPT	双卡套6mm Double ferrules	23	29.5			
NV4-P-N1/4-DF8M	NV4A-P-N1/4-DF8M	外螺纹NPT1/4 Male NPT	双卡套8mm Double ferrules	23	31.2			
NV4-P-N1/8-DF1/8	NV4A-P-N1/4-DF1/8	外螺纹NPT1/8 Male NPT	双卡套OD1/8" Double ferrules	22	26.9			
NV4-P-N1/4-DF1/4	NV4A-P-N1/4-DF1/4	外螺纹NPT1/4 Male NPT	双卡套OD1/4" Double ferrules	23	31.5			
NV4-P-N1/8-FN1/8	NV4A-P-N1/8-FN1/8	外螺纹NPT1/8 Male NPT	内螺纹 NPT1/4 Female NPT	22	22			
NV4-P-N1/4-FN1/4	NV4A-P-N1/4-FN1/4	外螺纹NPT1/4 Male NPT	内螺纹 NPT1/4 Female NPT	23	23			

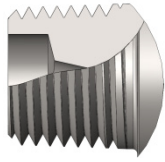
NV系列整体阀盖式针形阀

NV Series Integral Bonnet Needle Valves

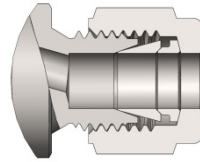
订购须知 Ordering information

阀门系列 Valve series	阀体型式 Body type	盘装式 Panel mounting	进口型式 Inlet type	进口尺寸 Inlet size	出口型式 Outlet type	出口尺寸 Outlet size	阀体材料 Body material	
NV4	A 直通阀 Straight pattern	P 盘装式 Panel mounting	N	NPT外螺纹 Male NPT	与进口相同 Same with inlet	标识方法同进口 The marking method is same with inlet	S1	321SS
			FN	NPT内螺纹 Female NPT			S4	304SS
	R	BSPT外螺纹 Male BSPT	S6	316SS				
	Rc	BSPT内螺纹 Female BSPT	S6L	316L				
	DF	双卡套米制管 Double ferrules for metric tube						
	DF	双卡套英制管 Double ferrules for fractional tube						

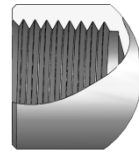
常见接口型式举例: Example for connections



外螺纹 Male thread



双卡套 Double ferrules



内螺纹 Female thread

型号举例说明:

For example

NV4-P-DF8M-S6

NV4: NV4整体阀盖式针形阀, 直通型式

P: 盘装型式

DF8M: 进口型式为公制管双卡套, 尺寸f8mm
出口型式和尺寸与进口相同

S6: 阀体材料为316SS

NV4: NV4 series integral bonnet needle valve,
straight pattern

P: Panel mounting

DF8M: Inlet type is metric tube of double ferrules
which size is 8mm

Outlet type and size is same with inlet

S6: Material of valve body: 316SS

NV4A-N1/4-DF1/4-S6L

NV4: NV4整体阀盖式针形阀

A: 角式阀 angle pattern

N1/4: 进口型式为NPT1/4外螺纹

DF1/4: 出口型式为英制管双卡套, 尺寸OD1/4"

S6L: 阀体材料为316L

NV4: NV4 series integral bonnet needle valve,

A: Angle pattern

N1/4: Inlet type is NPT1/4 male thread

DF1/4: Outlet type is fractional tube of double
ferrules which size is OD1/4"

S6L: Material of valve body: 316L