

BV10系列仪表球阀

BV10 Series Instrument Ball Valves

江花®
JIANGHUA

特点

- 阀体采用圆形棒料加工
- 容许双向流动
- 填料：聚四氟乙烯
- 连接型式多样
- 100%工厂试验

Features

- The body is fabricated by Round bar stock
- Allows bidirectional flow
- Packing: PTFE
- Various of end connections
- 100% factory tested

技术规范

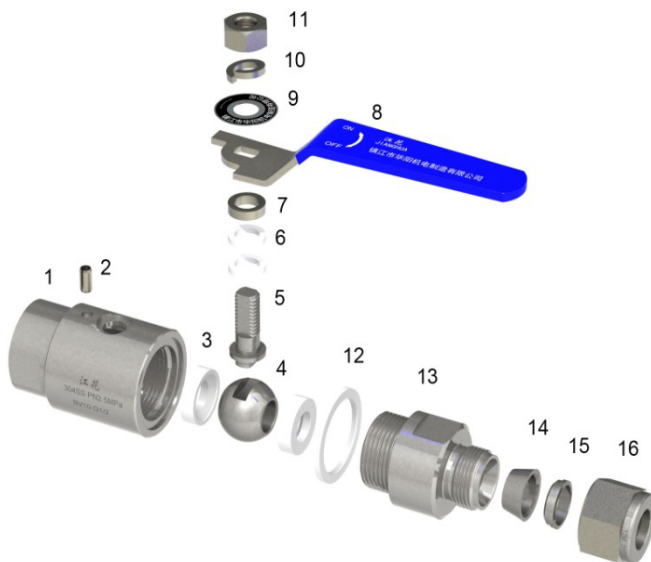
- 最大工作压力: 2.5MPa - 6.3MPa
- 球孔直径: 10 mm
- 许用温度范围: -40~232℃



Specification

- Maximum working pressures: 6.3MPa
- Ball orifice: 10 mm
- Applicable Tem.: -40~232℃

结构 Construction



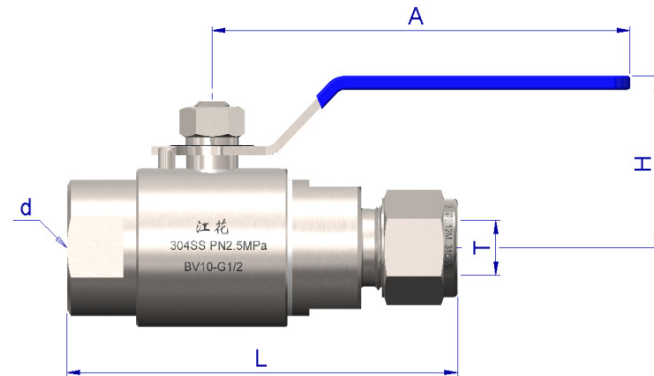
序号 No.	零件名称 Part Name	材质 Materials	
		304SS	316SS
1	球阀体 Body	304SS	316SS
2	销 Ping	304SS	
3	球面密封圈 Ball Seat	PTFE	
4	球 Ball	304SS	316SS
5	阀杆 Stem	304SS	316SS
6	填料 Packing	PTFE	
7	套管 Bushing	304SS	
8	手柄 Handle	SS+Plastic	
9	标牌 nameplate	AL	
10	弹垫 Spring Washer	304SS	
11	六角螺母 Nut	304SS	
12	垫片 Washer	PTFE	
13	连接头 Connector	304SS	316SS
14	前卡套 Front ferrule	304SS	316SS
15	后卡套 Back ferrule	304SS	316SS
16	卡套螺母 Nut	304SS	316SS

BV10 系列气源球阀(原QG.QY1) Air supply ball valves

公称压力: PN2.5MPa

公称通径: DN10 mm

气源管: 6-12mm



规格尺寸表 Table of model and dimensions

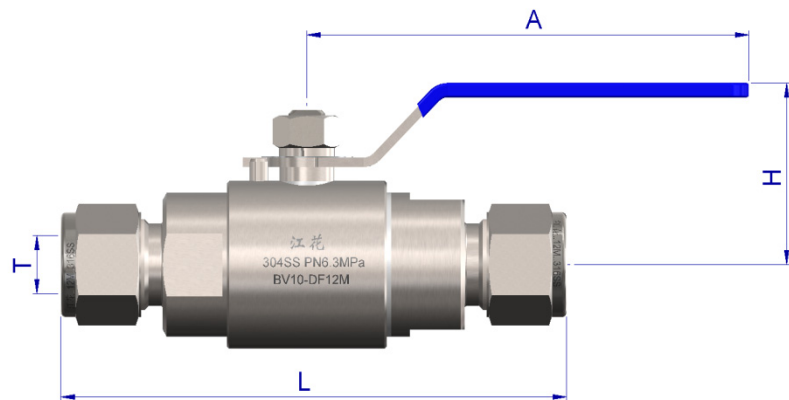
基本型号 Basic Model	接口型式/尺寸 Connection type/size		尺寸 size (mm)				
	进口 Inlet	出口 Outlet	d	T	L	A	H
BV10-G1/2-DF6M	内螺纹G1/2 Female BSPP	双卡套6mm Double ferrules for metric tube	G1/2	6	86.0	97.0	38.0
BV10-G1/2-DF8M		双卡套8mm Double ferrules for metric tube		8	87.3		
BV10-G1/2-DF10M		双卡套10mm Double ferrules for metric tube		10	88.5		
BV10-G1/2-DF12M		双卡套12mm Double ferrules for metric tube		12	90.3		
BV10-G1/2-DF1/4		双卡套OD1/4 Double ferrules for fractional tube		1/4"	86		
BV10-G1/2-DF3/8		双卡套OD3/8 Double ferrules for fractional tube		3/8"	88.5		
BV10-G1/2-DF1/2		双卡套OD1/2 Double ferrules for fractional tube		1/2"	90.5		
BV10-Rc1/2-DF8M	内螺纹Rc1/2 Female BSPT	双卡套8mm Double ferrules for metric tube	Rc1/2	8	87.3		
BV10-FN1/2-DF8M	内螺纹 NPT1/2 Female NPT	双卡套8mm Double ferrules for metric tube	NPT1/2	8	87.3		

注: 螺纹接口d可按用户要求采用NPT、Rc螺纹。

BV10 系列双卡套球阀 Double ferrules ball valves

公称压力: PN6.3MPa

公称通径: DN10 mm



规格尺寸表 Table of model and dimensions

基本型号 Basic Model	接口型式/尺寸 Connection type/size		尺寸 size (mm)			
	进口 Inlet	出口 Outlet	T	L	A	H
BV10-DF6M	双卡套6mm Double ferrules for metric tube		6	86.0	97.0	38.0
BV10-DF8M	双卡套8mm Double ferrules for metric tube		8	87.3		
BV10-DF10M	双卡套10mm Double ferrules for metric tube		10	88.5		
BV10-DF12M	双卡套12mm Double ferrules for metric tube		12	90.3		
BV10-DF14M	双卡套14mm Double ferrules for metric tube		14	90.3		
BV10-DF1/4	双卡套OD1/4 Double ferrules for fractional tube		1/4"	86.0		
BV10-DF5/16	双卡套OD5/16 Double ferrules for fractional tube		5/16"	87.3		
BV10-DF3/8	双卡套OD3/8 Double ferrules for fractional tube		3/8"	88.5		
BV10-DF1/2	双卡套OD1/2 Double ferrules for fractional tube		1/2"	90.5		

BV10系列仪表球阀

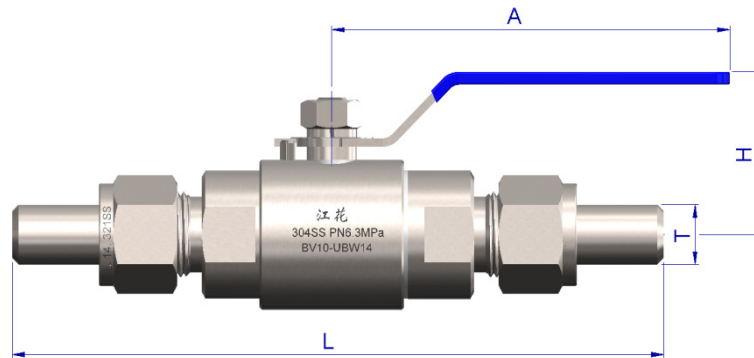
BV10 Series Instrument Ball Valves

江花®
JIANGHUA

BV10 系列双卡套球阀 Double ferrules ball valves

公称压力: PN6.3MPa

公称通径: DN10 mm



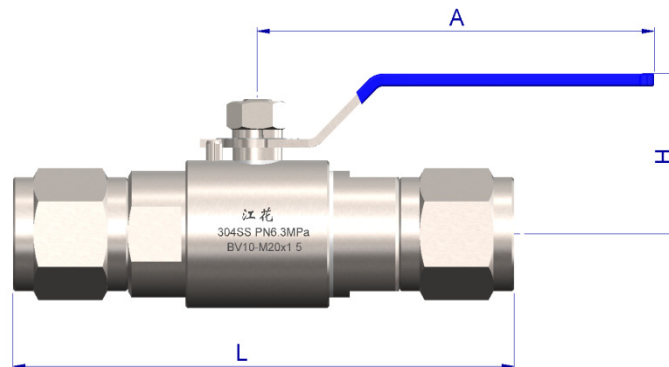
规格尺寸表 Table of model and dimensions

基本型号 Basic Model	接口型式/尺寸 Connection type/size		尺寸 size (mm)			
	进口 Inlet	出口 Outlet	T	L	A	H
BV10-UBW12	活接对焊 12mm	Union butt welding	12	158.0	97.0	38.0
BV10-UBW14	活接对焊 14mm	Union butt welding	14	158.0		
BV10-UBW16	活接对焊 16mm	Union butt welding	16	158		
BV10-UBW18	活接对焊 18mm	Union butt welding	18	166		

BV10 系列压力表球阀 Gauge ball valves

公称压力: PN6.3MPa

公称通径: DN10 mm



规格尺寸表 Table of model and dimensions

基本型号 Basic Model	接口型式/尺寸 Connection type/size		尺寸 size (mm)		
	进口d1 Inlet	出口d2 Outlet	L	A	H
BV10-M1-M20	M20x1.5 左 M20x1.5 Left thread	M20x1.5 M20x1.5 Female thread	122.0	97.0	38.0
BV10-M1-G1/2	G1/2左 G1/2 Left thread	G1/2 G1/2 Female thread	122.0		
BV10-M1-UBW14-M20	活接对焊 14mm Union butt welding	M20x1.5 M20x1.5 Female thread	140.0		