

三片式球阀(通用)

3-Piece Ball Valves (General Type)

特点

- 3片式结构，阀体采用精铸体加工
- 全通径，容许双向流动
- 防吹出阀杆
- 连接型式多样：螺纹，承插焊，对焊等
- 100%工厂试验

Features

- 3 PC body, fabricated by investment casting
- Full bore, allows bidirectional flow
- Blowout proof stem
- Various of end connections: Thread, socket weld, butt weld, etc.
- 100% factory tested



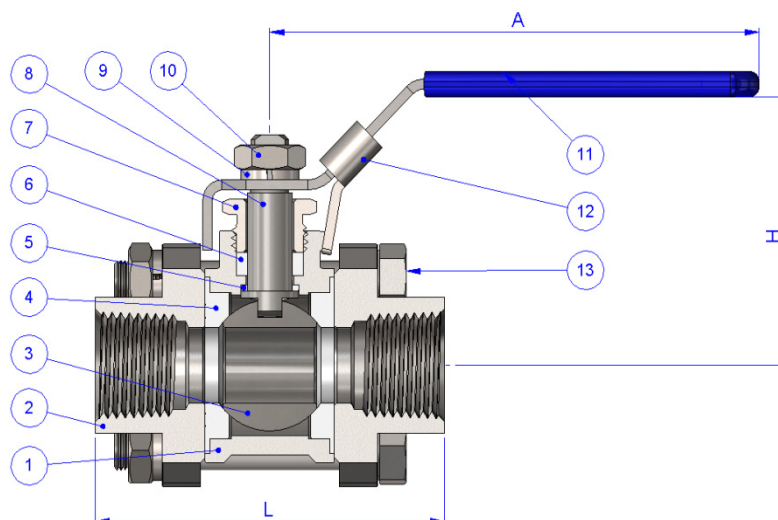
技术规范

- 最大工作压力: 1000psig (68.9bar)
- 许用温度范围: -20~232℃
- 适用介质: 水、油、气及某些腐蚀性液体
- 螺纹类型: NPT、BSPT (Rc)、BSP (Rp)

Specification

- Maximum working pressures: 1000 psig (68.9bar)
- Applicable Tem.: -20~232℃
- Applicable medium: water, oil, air and liquid (WOG)
- Thread: NPT、BSPT (Rc)、BSP (Rp)

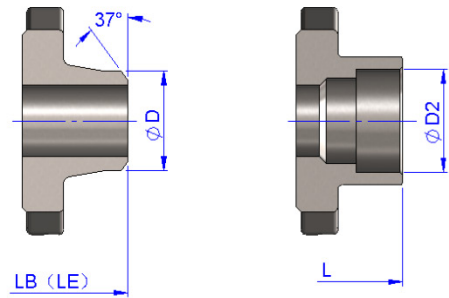
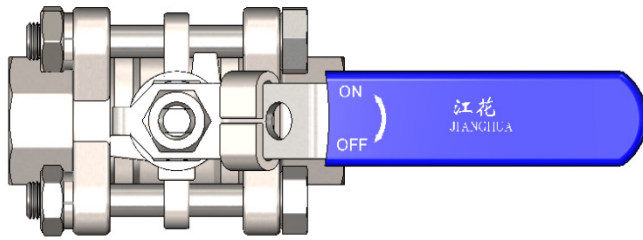
结构 Construction



三片式球阀(通用)

3-Piece Ball Valves (General Type)

江花®
JIANGHUA



对焊端
Butt-welding End

承插焊端
Socket welding End

LB: 对焊端(Butt-welding End)

LE: 加长对焊端(Extended Butt-welding End)

材料 Materials

序号 No.	零件名称 Part Name	材质 Materials	
		CF8M	CF8
1	球阀体 Body	CF8M	CF8
2	法兰 Flang	CF8M	CF8
3	球 Ball	CF8M	CF8
4	球面密封圈 Ball Seat	PTFE	
5	止推垫片 Thrust	PTFE	
6	填料 Packing	PTFE	
7	压盖螺母 Gland Nut	304SS	
8	阀杆 Stem	316SS	304SS
9	弹垫 Spring Washer	304SS	
10	六角螺母 Nut	A194-8	
11	手柄 Handle	SS+Plastic	
12	锁紧装置 Loking Device	304SS	
13	六角螺栓 Bolt	A193-B8	

尺寸 Dimensions

(mm)

SIZE	DN	L	LB	LE	H	A	D	D2
1/4	DN6	68	68	112	48	95	15	14.2
3/8	DN10	68	68	112	48	95	17	17.8
1/2	DN15	73	73	128	55	100	22	21.9
3/4	DN20	84	85	135	58	125	27	27.3
1	DN25	91	90	142	72	150	34	34
1-1/4	DN32	112	115	165	86	165	42	42.8
1-1/2	DN40	121	122	175	94	175	48	49
2	DN50	146	150	205	97	185	60	61.4
2-1/2	DN65	182	185	250	125	220	76	76.5
3	DN80	210	210	275	135	245	89	90