

二片式球阀

2-Piece Ball Valves

江花®
JIANGHUA

特点

- 两片式结构，阀体采用精铸体加工
- 全口径，容许双向流动
- 防吹出阀杆
- 连接型式：螺纹
- 100%工厂试验

Features

- 2 PC body, fabricated by investment casting
- Full bore, allows bidirectional flow
- Blowout proof stem
- end connections: Thread
- 100% factory tested



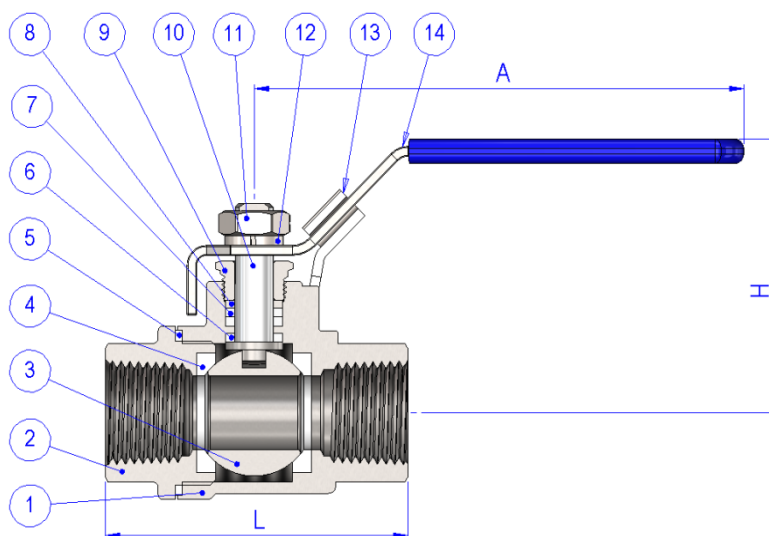
技术规范

- 最大工作压力: 1000psig (68.9bar)
- 许用温度范围: -20~232℃
- 适用介质: 水、油、气及某些腐蚀性液体
- 螺纹类型: NPT、BSPT (Rc)、BSP (Rp)

Specification

- Maximum working pressures: 1000 psig (68.9bar)
- Applicable Tem.: -20~232℃
- Applicable medium: water, oil, air and liquid (WOG)
- Thread: NPT、BSPT (Rc)、BSP (Rp)

结构 Construction



二片式球阀

2-Piece Ball Valves

材料 Materials

序号 No.	零件名称 Part Name	材质 Materials		
		316SS	304SS	CS
1	球阀体 Body	CF8M	CF8	WCB
2	球阀盖 Bonnet	CF8M	CF8	WCB
3	球 Ball	316SS	304SS	304SS
4	球面密封圈 Ball Seat	PTFE		
5	垫片 Washer	PTFE		
6	止推垫片 Thrust Washer	PTFE		
7	填料 Packing	PTFE		
8	垫片 Washer	304SS		
9	填料压盖 Packing Gland	304SS		
10	阀杆 Stem	316SS	304SS	
11	六角螺母 Nut	304SS		
12	弹垫 Spring Washer	304SS		
13	锁紧装置 Loking Device	304SS		
14	手柄 Handle	SS+Plastic		

尺寸 Dimensions

(mm)

SIZE	DN	d	L	H	A
1/4	DN6	11.6	55	50	95
3/8	DN10	12.7	55	50	95
1/2	DN15	15	65	60	100
3/4	DN20	20	75	64	125
1	DN25	25	88	71	150
1-1/4	DN32	32	102	78	165
1-1/2	DN40	38	110	86	175
2	DN50	50	125	95	185
2-1/2	DN65	65	162	130	220
3	DN80	80	189	148	245
4	DN100	100	260	180	280